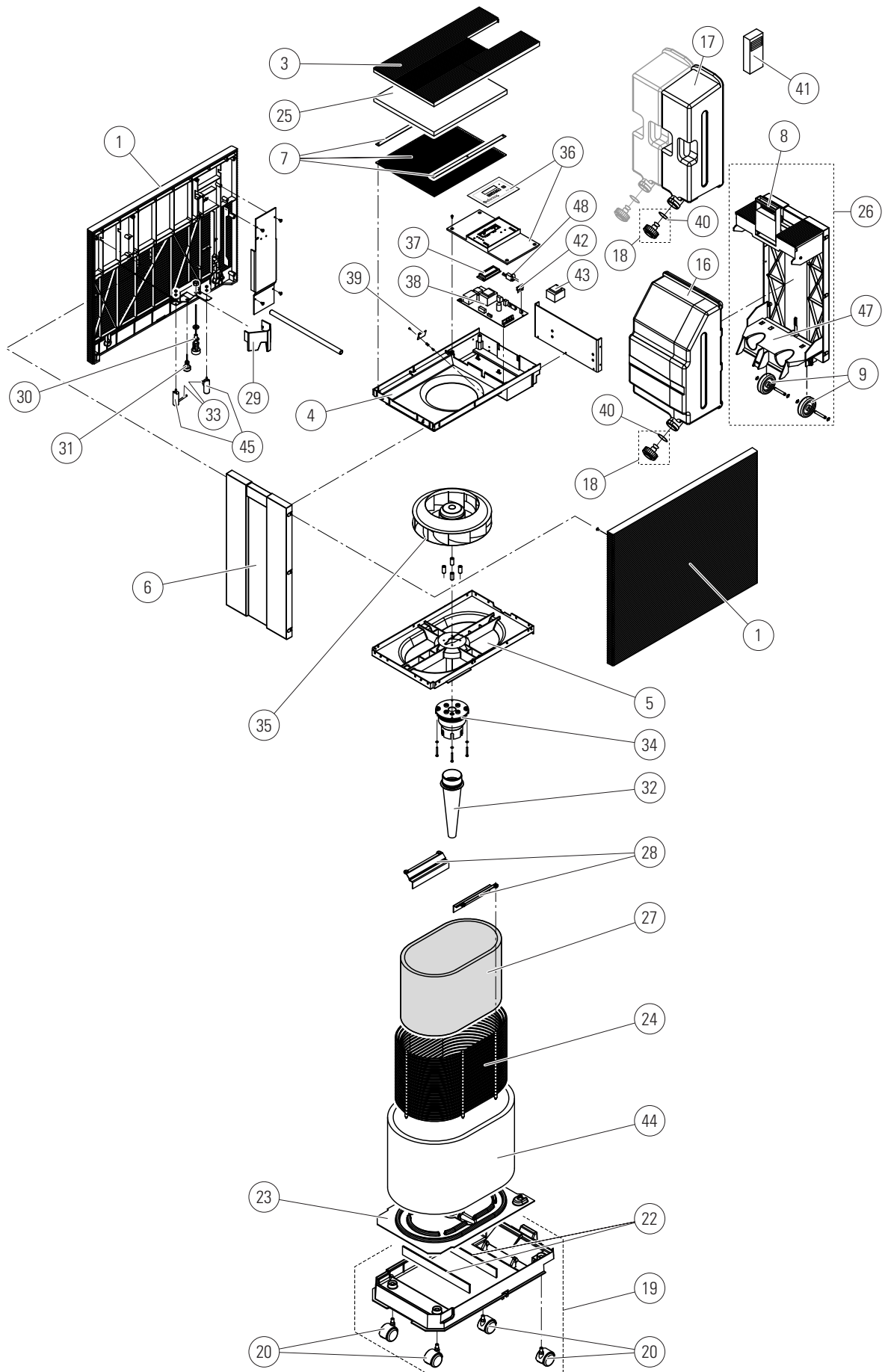
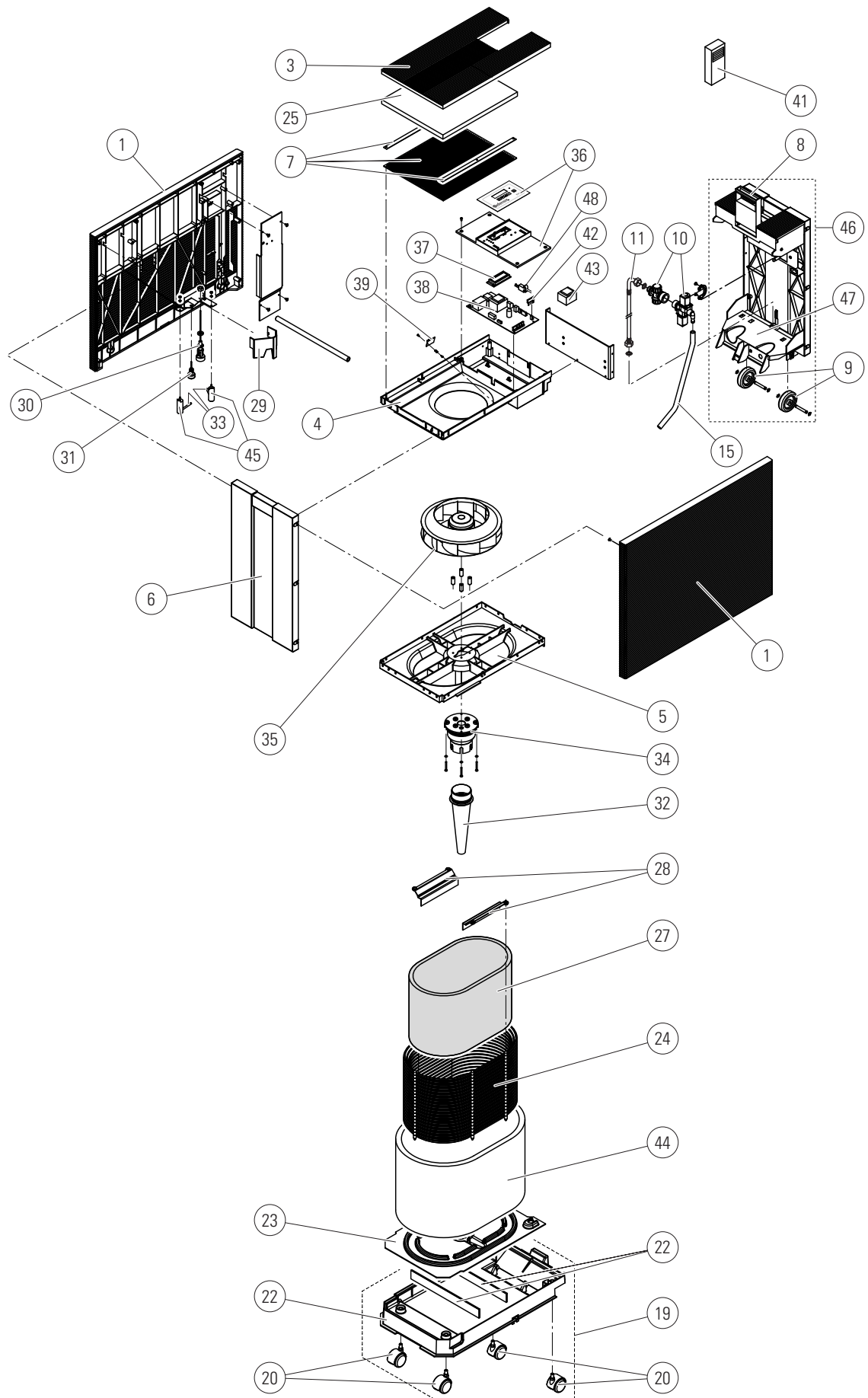


10.2 Spare parts list PH15



Pos.	Art.-No.	Spare parts designation
1	2525254	Air outlet grill
3	2525318	Top cover grill
4	2525255	Frame
5	1103777	Motor support
6	2525306	Side board
7	2525256	Protecting grill cpl.
8	2525257	Handle
9	2525258	Roll water carriage (2 pcs)
16	2527094	Water tank (20 l)
17	1104570	Water tank (10 l, 1 pc)
18	1104450	Level control valve
19	2525273	Mobile base cpl.
20	2525275	Double roll (2 pcs)
22	2525277	Swash chicane (2 pcs)
23	1103179	Base cover
24	1104457	Droplet trap
25	1102319	Coarse dust filter (5 pcs)
26	2525692	Water carriage
27	1100465	Evaporator mat
	1110398	Activated charcoal evaporator mat
28	1102685	Connecting bars with support
29	2525278	Float cover
30	2571368	Level switch
31	1103785	Level safety switch
32	1104467	Impeller
33	1115356	Ionisation electrode (2 pcs)
34	2525279	Impeller motor
35	2525280	Fan cpl.
36	2525281	Control panel
37	1115515	Display LCD
38	2525304	Control PCB
39	1103719	Humidity sensor cpl.
40	1113552	Gasket level control valve
41	2524759	Radio humidity sensor
42	2525353	Receiver module
43	2525305	Transformer Japan
44	1101225	Coarse dust filter
	1110259	Quattro filter
45	2525859	Support ionisation electrode cpl. (2 pcs)
47	2544589	Base water carriage
48	2549653	Door switch
--	1110326	Brush for impeller
--	2527171	Leakage sensor
--	2529755	Salt pill leakage sensor (5 pcs)
--	1119520	Ionisation cable

10.3 Spare parts list PH15A



Pos.	Art.-No.	Spare parts designation
1	2525254	Air outlet grill
3	2525318	Top cover grill
4	2525255	Frame
5	1103777	Motor support
6	2525306	Side board
7	2525256	Protecting grill cpl.
8	2525257	Handle
9	2525258	Roll water carriage (2 pcs)
10	2525260	Valve unit cpl.
11	2558173	Water connection hose
15	2525263	Inlet hose
19	2525349	Mobile base A-type cpl.
20	2525275	Double roll (2 pcs)
22	2525277	Swash chicane (2 pcs)
23	1103179	Base cover
24	1104457	Droplet trap
25	1102319	Coarse dust filter (5 pcs)
27	1100465	Evaporator mat
	1110398	Activated charcoal evaporator mat
28	1102685	Connecting bars with support
29	2525278	Float cover
30	2571368	Level switch
31	1103785	Level safety switch
32	1104467	Impeller
33	1115356	Electrodes ionisation
34	2525279	Impeller motor
35	2525280	Fan cpl.
36	2525281	Control panel
37	1115515	Display LCD
38	2525304	Control PCB
39	1103719	Humidity sensor cpl.
41	2524759	Radio humidity sensor
42	2525353	Reiceiver module
43	2525305	Transformer Japan
44	1101225	Coarse dust filter
	1110259	Quattro filter
45	2525859	Support ionisation electrode cpl. (2 pcs)
46	2543815	Water carriage A-type
47	2544589	Base water carriage
48	2549653	Door switch
--	1110326	Brush for impeller
--	2527171	Leakage sensor
--	2529755	Salt pill leakage sensor (5 pcs)
--	1119520	Ionisation cable



CONSULTING, SALES AND SERVICE:



Reg.No. 40002-2

Manufacturer:

Condair Ltd.

Member of the Walter Meier Group

Talstrasse 35-37, 8808 Pfäffikon, Switzerland

Ph. +41 55 416 61 11, Fax +41 55 416 62 62

info@condair.com, www.condair.com